

ELECTRICAL SPECIFICATIONS:

- | | | | |
|-----|---------------------------|------------------------------|--|
| 1.0 | URNS RATIO: | (P6-P5-P4) : (J6-J3) | : 1CT : 1CT ± 3% |
| | | (P3-P2-P1) : (J2-J1) | : 1CT : 1CT ± 3% |
| 2.0 | INDUCTANCE: | (P6-P4) | : 350uH MIN. @ 0.1V, 100KHz, 8mA DC Bias |
| | | (P3-P1) | : 350uH MIN. @ 0.1V, 100KHz, 8mA DC Bias |
| 3.0 | LEAKAGE INDUCTANCE: | P6-P4 (WITH J6 AND J3 SHORT) | : 0.3 MAX. @ 1MHZ |
| | | P3-P1 (WITH J2 AND J1 SHORT) | : 0.3 MAX. @ 1MHZ |
| 4.0 | INTERWINDING CAPACITANCE: | (P6,P5,P4) TO (J6,J3) | : 30pf MAX @ 1MHZ |
| | | (P3,P2,P1) TO (J2,J1) | : 30pf MAX. @ 1MHZ |
| 5.0 | DC RESISTANCE: | (J6-J3)=(J2-J1) | : 1.2 ohms Max. |

NOTE
1.0 F
CON

Bel Stewart C
11118 Susquehanna
Glen Rock, Pa 1732
717.234.7512

THIS DRAWING AND THE SUBJECT MATTER SHOWN THEREON ARE CONFIDENTIAL AND PROPERTY OF BEL STEWART CONNECTOR AND SHALL NOT BE REPRODUCED, COPIED, OR USED IN ANY MANNER WITHOUT PRIOR WRITTEN CONTENT OF BEL STEWART CONNECTOR. THE SUBJECT MATTER MAY BE PATENTED OR A PATENT MAY BE PENDING.

RECEIVE

6.0 RETURN LOSS: 1MHz TO 30MHz : 18dB MIN.
60MHz TO 80MHz : 12dB MIN.

NOTE: 100 OHMS CONNECTED TO (J2-J1) OR (J6-J3).

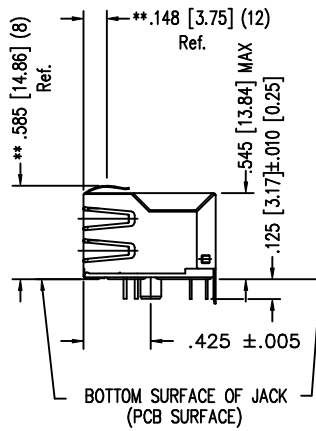
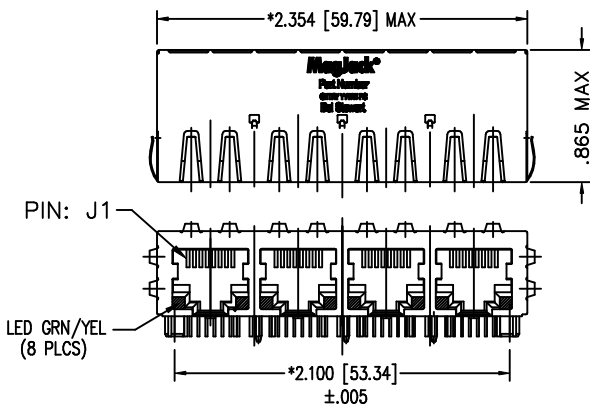
7.0 DIELECTRIC WITHSTAND: (J1, J2) TO (P1, P3) : 1500 VAC
(J3, J6) TO (P4,P6) : 1500 VAC

8.0 INSERTION LOSS: RS=RL=100 ohms : 1.1 dB TYP
100KHz TO 100MHz

9.0 RISE TIME: RS=100 OHMS AND RL = 100 OHMS : 3.0 nS MAX
OUTPUT VOLTAGE = 1 V peak : 3.0 nS MAX
PULSE WIDTH= 112nS

10.0 CROSS TALK: 1MHz TO 100MHz : 40 dB TYP

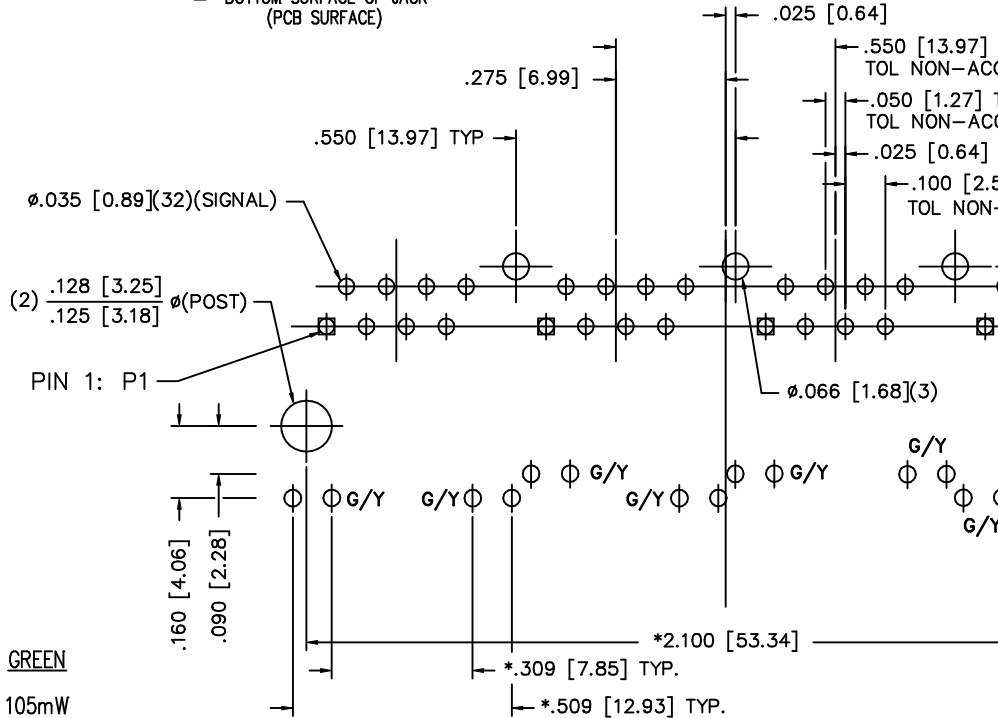
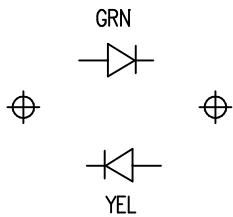
11.0 COMMON TO COMMON MODE ATTENUATION: 30MHz TO 100MHz : 35dB TYP



NOTES:

- TOLERANCES COMPLY WITH
- DIMENSIONS SHOWN WITH TOLERANCES ARE ABOUT CENTER LINE
- "***" ON DIMENSION INDICATES DIMENSIONS SHOWN ARE APPROXIMATE
- PIN NOT ELECTRICALLY CONNECTED TO JACK
- SEE ELECTRICAL DRAWING FOR PIN ASSIGNMENT
- STANDARD 50 MICRO-D SUB

BICOLOR LED POLARITY



LED SPECIFICATION

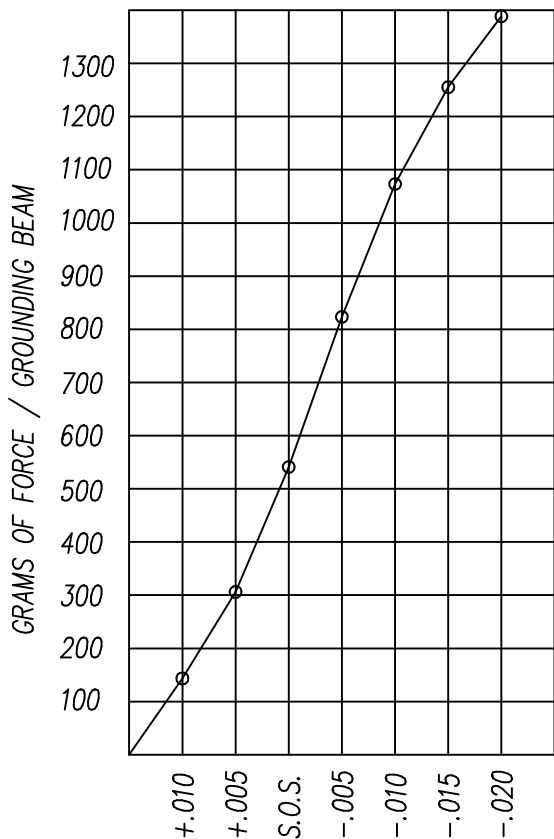
	YELLOW	GREEN
POWER DISSIPATION:	105mW	105mW
FORWARD VOLTAGE *:	TYP: 2.1V MAX: 2.5V	TYP: 2.2V MAX: 2.6V
INTENSITY @ 10ma :	2-8MCD	8-32MCD
WAVELENGTH :	590nm	565nm

P.C.B. RECOMMENDED HOLE LAYOUT
SEEN FROM COMPONENT SIDE
TOLERANCE ±.003 [0.08] UNLESS OTHERWISE SPECIFIED

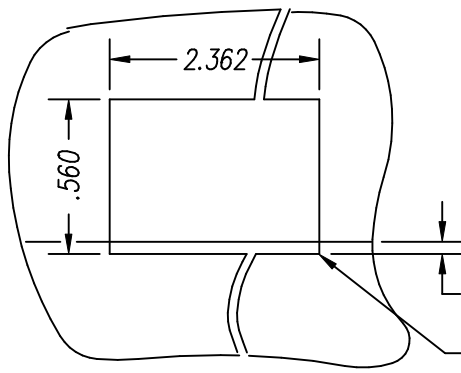
CT720091/CT720074/24-0077

Bel Stewart
11118 Susquehanna
Glen Rock, Pa. 17322
717.234.7512

THIS DRAWING AND THE SUBJECT MATTER SHOWN THEREON ARE CONFIDENTIAL AND PROPERTY OF BEL STEWART CONNECTOR AND SHALL NOT BE REPRODUCED, COPIED, OR USED IN ANY MANNER WITHOUT PRIOR WRITTEN CONTENT OF BEL STEWART CONNECTOR. THE SUBJECT MATTER MAY BE PATENTED OR A PATENT MAY BE PENDING.

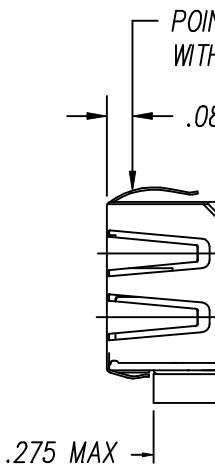


PANEL GROUNDING BEAM DEFLECTION
S.O.S. = SUGGESTED OPENING SIZE



SUGGESTED PANEL OPENING

CT720035X1/24-001701



THE SUGGESTED PANEL OPENING IS INTENDED TO GIVE THE USER A REASONABLE JACKING CAPABILITY, YET MAINTAIN RELIABLE CONTACT CAPABILITY. THESE DIMENSIONS SHOULD BE ADJUSTED IN EITHER DIRECTION TO CARRY SOME CONSISTENT MARGIN OF LOWER MATING PARTS ASSEMBLY TOLERANCES. THE POINTS ON THE GRAPH ARE TAKEN AT THE POINTS SHOWN ABOVE. THE SUGGESTED OPENING INCLUDES APPROXIMATE DIMENSIONS ON THE SIDES AND BOTTOM.

THIS DRAWING AND THE SUBJECT MATTER SHOWN THEREON ARE CONFIDENTIAL AND PROPERTY OF BEL STEWART CONNECTOR COMPANY AND SHALL NOT BE REPRODUCED, COPIED, OR USED IN ANY MANNER WITHOUT PRIOR WRITTEN CONSENT OF BEL STEWART CONNECTOR COMPANY. THE SUBJECT MATTER MAY BE PATENTED OR A PATENT MAY BE PENDING.

Bel Stewart Connector
11118 Susquehanna
Glen Rock, Pa. 17320
717.234.7812

SHEET
4 OF 4